



# Harmony FE

## Homelift

**TerryLifts**  
total lift solutions

The specialist in Mobility Lifts  
Trusted for over 50 years

Buy direct from the British manufacturer

[www.terrylifts.co.uk/harmonyfe](http://www.terrylifts.co.uk/harmonyfe)

Call 01565 752 800 for free and impartial advice



Harmony FE Standard



## Why choose Terry Lifts?

**In 1968, the owner of a small engineering company in the town of Knutsford, Cheshire, our founder Eric Terry, helped a local family who were struggling to get their mother upstairs.**

He achieved this by designing the very first hand wound domestic lift. His invention became the talk of the community and word soon spread both at home and abroad.

Over 50 years and more than 20,000 lifts later, the committed people at Terry Lifts continue to listen to the needs of their customers who are embracing life's challenges. Our designers, engineers and production operatives produce lifts for every need and every situation, domestic, public access, in the UK and for export markets.

The Terry Lifts team ensures that all products comply with the relevant safety standards. Our Skilled workforce finishes the Harmony FE Homelift with amazing bespoke touches ready for delivery and installation into your property.

### **We will take care of everything**

Purchasing and having your homelift installed is far less complicated than you might think.

We will survey your home and provide you with a written quotation. After your decision to proceed, we will first carry out all the necessary work. The installation itself takes less than two days.

# Making life easy

## Freedom & choice, all in one lift.

Whether traveling standing, seated in a wheelchair or together with a carer, the Harmony FE Homelift will allow you to move freely between floors safely, smoothly and quietly. The lift features a wide range of cabin sizes to choose from so you are sure to find a model that fits your needs.

Our Harmony FE Homelift requires much less space than a conventional lift. There is no shaft or structure required and the footprint of the lift is so compact that it can be placed almost anywhere in your home.



# Comfortable and easy to use

## Why the Harmony FE makes life easy



Easy-to-use wireless controls come as standard inside the cabin and at each floor level.



A simple push of the button controls the lift, positioned to suit your needs.



The aperture floor panel is automatically lifted or lowered by the carriage.



The guides can be positioned close to the wall to minimise impact on the room.



Low cabin floor construction ensures easy wheelchair access and egress.



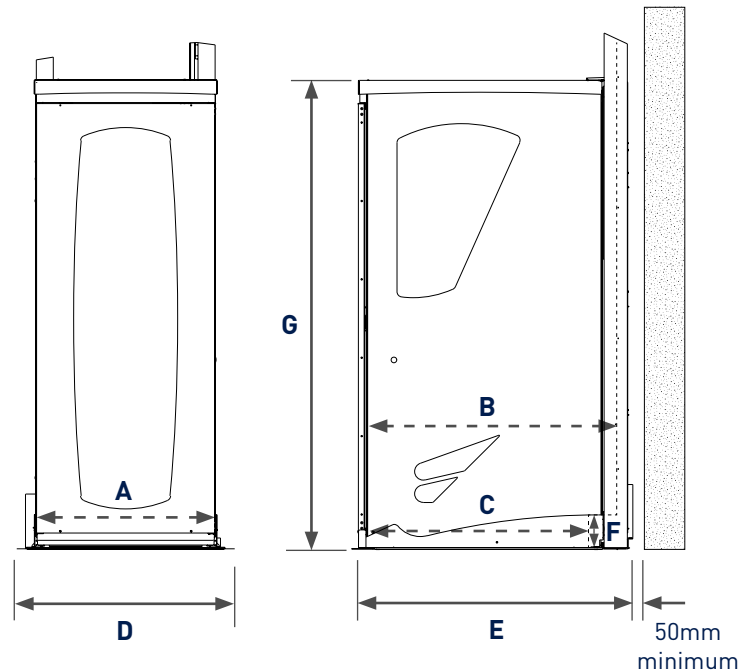
The lift can be sent to the floor which is unoccupied, leaving a feeling of space in the room.

# Features

## Standard features

- ✓ Reliable hydraulic drive system
- ✓ Gloss white powder coated exterior and interior finish
- ✓ Automatic motorised door
- ✓ Low cabin floor profile for easy wheelchair access
- ✓ Door open button on the external side of the lift cabin
- ✓ Easy to use, one-touch wireless controls, with no need for constant pressure
- ✓ Cabin controls are adjustable and landing controls wall mounted
- ✓ Full height glazed door
- ✓ Toughened scratch resistant glass panels
- ✓ Light grey carpet covered interior panels
- ✓ Charcoal carpeted floor
- ✓ Four dimmable interior LED lights
- ✓ Telephone (dependant on land line connection)
- ✓ Integrated wireless smoke/heat detectors
- ✓ Multiple emergency lowering systems
- ✓ 325 kg (51 stone) weight capacity
- ✓ 1 year parts and labour warranty
- ✓ Designed and manufactured in Britain

## Cabin details



## Optional extras

- ✓ Upholstered fold up seat
- ✓ Joystick cabin control
- ✓ Hand-held remote control
- ✓ Radio isolation fob
- ✓ Handrail
- ✓ Grab points
- ✓ Mirror
- ✓ LED cabin side lighting
- ✓ Extended warranties including service visits

## Optional finishes

- ✓ Choice of carpet colour
- ✓ Cabin available in alternative RAL colours

Lift model	A Internal width	B Internal length above axle cover	C Internal length to axle cover	D External width	E External length	F Axle cover height	G Cabin height	Travel	Capacity
Harmony FE C (Compact)	745	826	726	910	914	90	2160	2400-3600	325 kg
Harmony FE S (Standard wheelchair)	745	1148	1045	910	1235	90	2160	2400-3600	325 kg
Harmony FE L (Wheelchair + attendant)	745	1348	1245	910	1435	90	2160	2400-3600	325 kg
Harmony FE LW (Wheelchair + attendant)	880	1348	1245	1045	1435	90	2160	2400-3600	325 kg

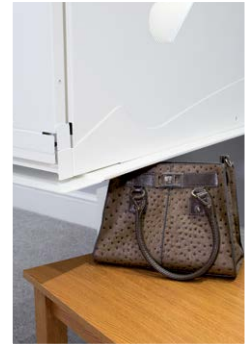
# Peace of mind

**At Terry Lifts, we have combined luxury with the latest technology, making our Harmony FE a top of the range lift of the highest quality.**

The safety of you and your family is our priority. This is why the Harmony FE Homelift is equipped with all the latest safety features as standard.

Fire safety is an important consideration. The Harmony FE Homelift maintains fire and smoke protection between the floors, whether it is parked upstairs or downstairs. Smoke or heat alarms ensure the lift performs correctly in case of activation.

- ✓ We are members of LEIA (Lift and Escalator Industry Association) – Meaning that we operate under a particular code of conduct which requires us to have all relevant technical and quality certification as well as guaranteeing the supply of spare parts for years to come.
- ✓ We have options for extended warranty
- ✓ Your lift comes with a 12 months parts and labour warranty, as standard.
- ✓ All our lifts are lifetime tested to ensure reliability



Pressure sensitive safety surfaces stop the lift if obstructed from above or below

## The Terry Promise



### Safety First

Your safety is our primary concern. It is important that you feel safe and secure when you are using your Harmony FE Lift.

- ✓ Pressure sensitive surfaces and safe edges
- ✓ Emergency lowering in case of power cuts and easy to use manual lowering
- ✓ 30-minute fire protection between the upper and lower floors, whether the lift is parked upstairs or downstairs, to the requirements of BS5900: 2012
- ✓ Smoke or heat alarms provided on both floors



### Ensuring we comply:

- ✓ Compliant with the Machinery Directive
- ✓ Independently certificated by a Notified Body as is our legal requirement
- ✓ Compliant with British Standard BS 5900:2012
- ✓ The Harmony Homelift fully complies with the Chartered Institute of Building Services Engineers (CIBSE) Guide D recommendations
- ✓ Building and electrical work undertaken, complies to the relevant regulations.





## Frequently asked questions

**Is it possible for the lift to stop between floors when I am on my own?** If there is a power cut at your property, then the battery backup will maintain operational control of the lift to lower to the ground floor. If all else fails, the manual lowering system can be operated with assistance from outside the lift to enable you to travel to the ground floor. In addition, we provide a telephone inside the lift which is Included with your lift package. The telephone will require a connection to your incoming telephone landline.

**Can I use my wheelchair in a Harmony FE?**

Yes you can. We offer three wheelchair models, the standard, the longer and the longer/wider. We have models which can accommodate a wheelchair, someone standing or a combination of both. Our Sales consultant can assist to decide on which size is most suitable. Please refer to internal dimensions guide on page 5.

**Do Terry Lifts manage the building work?** Yes, we can complete all building work or alternatively, we can provide a Specification Guide to your builder. The choice is yours. Normally, no major structural work is required.

**How much space does a Harmony FE Lift require?**

The four Harmony FE models are designed to minimise the external footprint and maximise the internal car space for every need. The Compact is the smallest. Please refer to the dimension guide on page 5.

**Will the Harmony FE affect the fire integrity of my home?**

The Harmony FE lift is fire and smoke test certificated by an approved and accredited test laboratory and complies with BS5900:2012 in relation to through floor lifts. This covers fire safety for the Harmony FE Lift in both the lower and upper position.

**I plan to keep my lift for a very long time, will Terry Lifts service and care for my lift?** Yes. Terry Lifts can provide a service and maintenance package to suit your requirements. Please contact our aftercare service team to discuss options that are available.

**Can installing a Harmony FE Lift be cheaper than moving home?** Yes, almost certainly. We are often told by our clients that it was cheaper and less stressful than moving home.



Harmony FE Homelift

For further information or to book your free no obligation consultation, call us today on **01565 752 800** or visit [www.terrylifts.co.uk](http://www.terrylifts.co.uk) to view our full range of homelifts



Lifestyle Homelift



Harmony Wheelchair Homelift

**Terry Lifts**  
total lift solutions



Terry Group Ltd.  
Unit 1-3, Longridge Trading Estate  
Knutsford, Cheshire WA16 8PR

**Tel: +44 (0)1565 752 800**  
**[www.terrylifts.co.uk](http://www.terrylifts.co.uk)**  
**[enquiries@terrylifts.co.uk](mailto:enquiries@terrylifts.co.uk)**

**MADE IN BRITAIN**